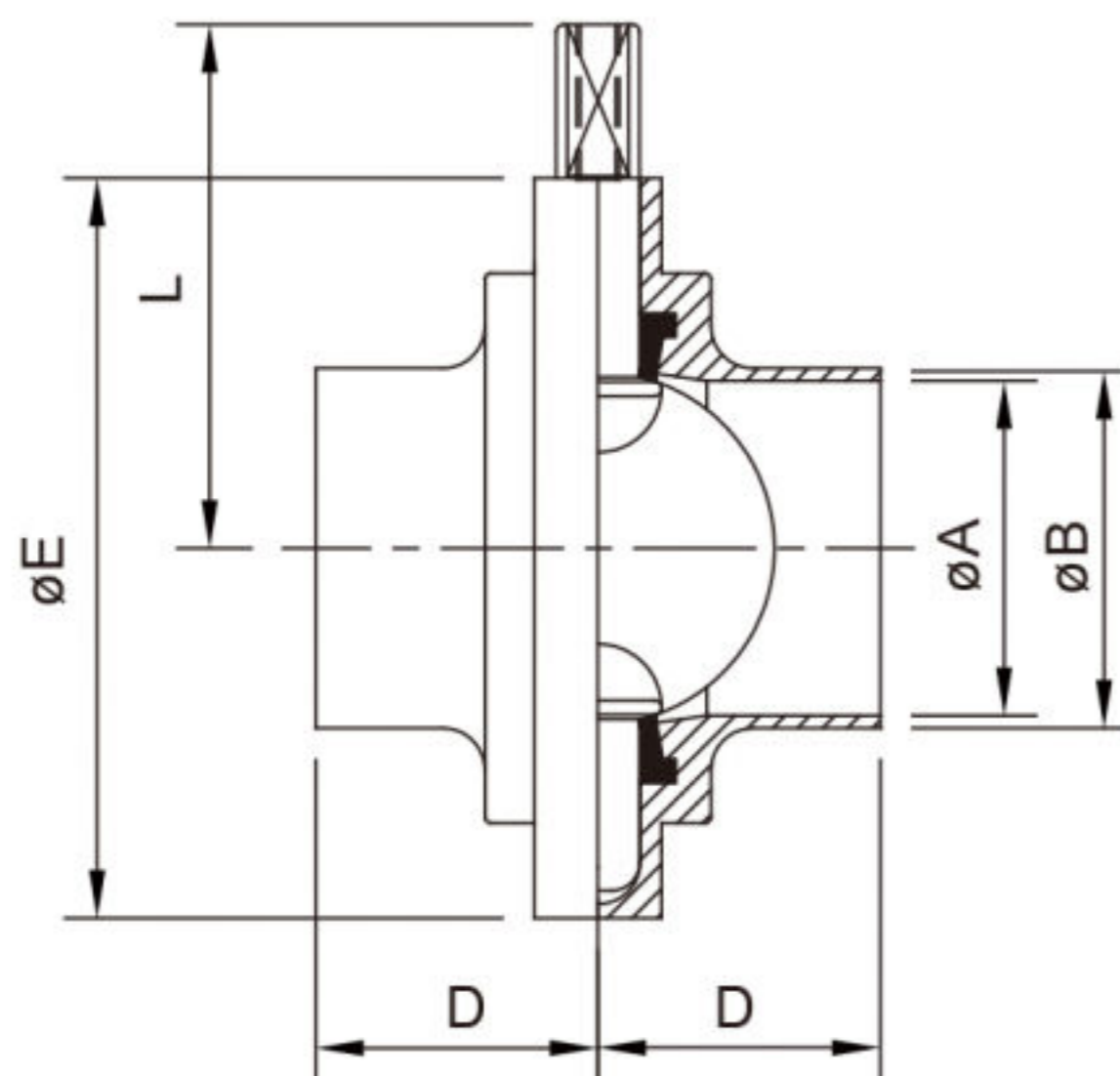


CSE Full Forged Butterfly Valves

Weld End



DIN WELD BUTTERFLY VALVE

| SIZE | ØA | ØB | D | ØE | L |
|-------|-----|-----|----|-----|-------|
| DN28 | 25 | 28 | 34 | 79 | 61 |
| DN34 | 31 | 34 | 38 | 85 | 64.3 |
| DN40 | 37 | 40 | 38 | 90 | 74.3 |
| DN50 | 49 | 52 | 40 | 105 | 77.6 |
| DN65 | 66 | 70 | 41 | 125 | 84.8 |
| DN85 | 81 | 85 | 42 | 137 | 91.6 |
| DN104 | 100 | 104 | 44 | 157 | 101.7 |

3A/BS/SMS WELD BUTTERFLY VALVE

| SIZE | ØA | ØB | SIZE | ØA | ØB | D | ØE | L |
|------|-------|-------|-------|------|------|----|-------|-------|
| 1/2" | 9.4 | 12.7 | — | — | — | 34 | 79 | 61 |
| 3/4" | 15.75 | 19.05 | — | — | — | 34 | 79 | 61 |
| 1.0" | 22.1 | 25.4 | DN25 | 22.5 | 25 | 34 | 79 | 61 |
| 1.5" | 34.8 | 38.1 | DN38 | 35.4 | 38 | 38 | 85 | 64.3 |
| 2.0" | 47.5 | 50.8 | DN51 | 48.0 | 51 | 40 | 105 | 74.3 |
| 2.5" | 60.2 | 63.5 | DN63 | 60.2 | 63.5 | 40 | 112 | 77.6 |
| 3.0" | 72.2 | 76.2 | DN76 | 72.1 | 76.1 | 41 | 125 | 84.8 |
| 4.0" | 97.6 | 101.6 | DN104 | 100 | 104 | 44 | 157 | 101.7 |
| 6.0" | 146.8 | 152.4 | — | — | — | 70 | 216.5 | 138.9 |