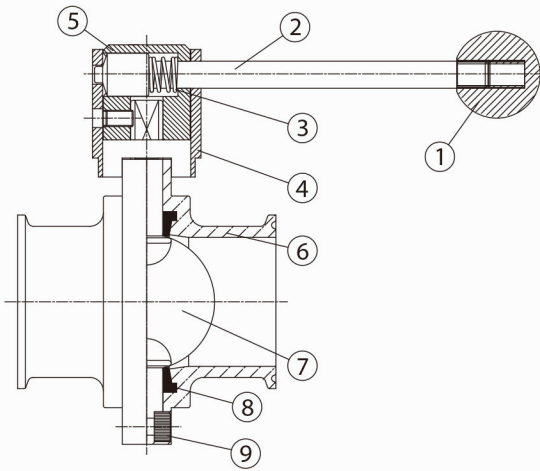


CSE Range of Butterfly Valve

3A Clamp End With St.St Pull Handle, 4 Position



NO.	PARTS NAME
1	KNOB
2	STEEL-BAR
3	SPRING ST.ST
4	FIXED PIECE
5	HOLDER
6	BODY
7	DISC
8	SILICON SEAT
9	SCREW BOLT

Torque for Full Open/Close

1.0"	< 9.8 N.m
1.5"	< 9.8 N.m
2.0"	13 N.m
2.5"	15 N.m
3.0"	20 N.m
4.0"	30 N.m
6.0"	70 N.m

*1kgf-m = 9.8 N.m = 86.8 lbf-in = 7.23 lbf-ft

Width Range of CSE Butterfly Valve-C & C Type

Body: SUS304、316、316L material made out from precision CNC milling machined.

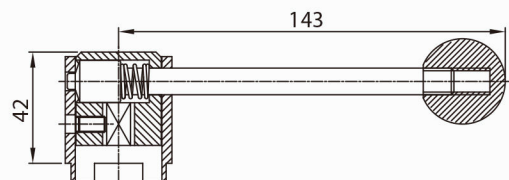
Body can be changeable, and low torque. BS、SMS、DIN、3A Weld end and Male/Male end and Clamp end.

Disk: Made out from full machined, high polished. Ra less than 0.6 um. 9.5mm and 8x12mm, 12x12mm head for USA and Europe required. Electropolished and PTFE coating can be Required.

Handle: Different nylon re-forced and stainless steel handle gripper, pull, Press type.

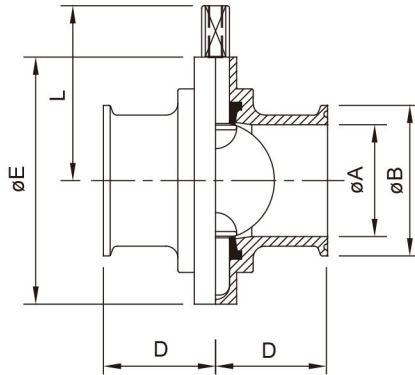
From 2 Position-12 Position, designed for your width range and beautiful choice.

PULL HANDLE 4 POSITION-P4



Can fit 9.4x9.4 and Ø12x8 or 12x12

Clamp End



3A CLAMP BUTTERFLY VALVE

SIZE	ØA	ØB	D	ØE	L
1/2"	9.4	25.2	34	79	61
3/4"	15.75	25.2	34	79	61
1.0"	22.1	50.5	33	79	61
1.5"	34.8	50.5	33	85	64.3
2.0"	47.5	64.0	35	105	74.3
2.5"	60.2	77.5	35	112	77.6
3.0"	72.9	91.0	38	125	84.8
4.0"	97.4	119.0	38	157	101.7
6.0"	146.86	166.8	70	216.5	138.9

