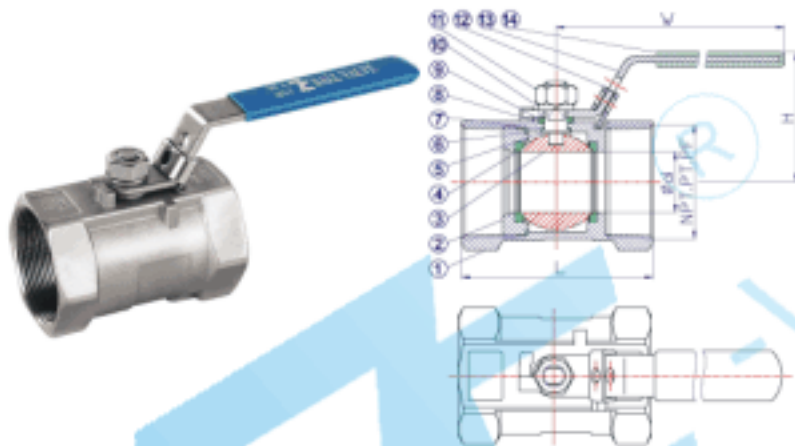


一片式牙口球塞閥

REDUCE PORT ONE-PIECE BALL VALVE SCREWED END 1000W.O.G./PN63



尺寸表 DIMENSIONS:

| SIZE | | d | L | H | W | Cv FACTOR | TORQUE N.M |
|------|--------|----|-----|----|-----|--------------|---------------|
| DN | NPS | | | | | | |
| 8 | 1/4" | 5 | 39 | 34 | 69 | 4.0 | 3 |
| 10 | 3/8" | 7 | 44 | 38 | 83 | 4.0 | 4 |
| 15 | 1/2" | 10 | 59 | 41 | 96 | 4.5 | 5 |
| 20 | 3/4" | 13 | 60 | 45 | 96 | 9.0 | 8 |
| 25 | 1" | 16 | 72 | 52 | 116 | 16.0 | 10 |
| 32 | 1 1/4" | 20 | 77 | 57 | 116 | 24.0 | 14 |
| 40 | 1 1/2" | 25 | 84 | 62 | 158 | 37.0 | 18 |
| 50 | 2" | 32 | 100 | 68 | 158 | 68.0 | 25 |

特徵 FEATURES:

- 管螺紋按照 PIPE THREAD IN ACCORDANCE:
NPT, BSPT, DIN 259, DIN 2999, ISO 228 CLASS A
- 防爆軸心/減流量 BLOW-OUT PROOF STEM / REDUCE PORT
- 精密鑄造 INVESTMENT CASTING BODY
- 1000PSI(PN63)W.O.G.
- 掛鎖裝置 LOCKING DEVICE

材質表 MATERIALS LIST:

| NO. | 部件名稱 | PART NAME | 材料 MATERIAL | |
|-----|------|----------------|-------------|-------|
| | | | TC100 | TC112 |
| 1 | 閥體 | BODY | WCB | CF8M |
| 2 | 閥蓋 | CAP | WCB | CF8M |
| 3 | 鋼球 | BALL | CF8M | |
| 4 | 球墊 | SEAT | PTFE | |
| 5 | 軸心 | STEM | SUS316 | |
| 6 | 大薄片 | GASKET | PTFE | |
| 7 | 小薄片 | THRUST WASHER | PTFE | |
| 8 | 中口 | PACKING | PTFE | |
| 9 | 墊片 | WASHER | SUS304 | |
| 10 | 彈簧華司 | SPRING WASHER | SUS304 | |
| 11 | 軸心螺母 | STEM NUT | SUS304 | |
| 12 | 掛鎖裝置 | LOCKING DEVICE | SUS304 | |
| 13 | 把手 | HANDLE | SUS304 | |
| 14 | 把手套 | PLASTIC COVER | PLASTIC | |