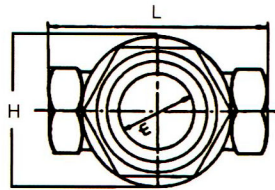
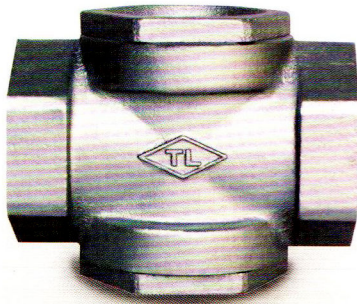


TL-40

Sight Glass Screwed Ends

- Materials: Cast Iron / CF8
- Size: 1/2"~2"



Material list

| Parts name | Material |
|------------|---------------------------|
| Body | Cast Iron / SUS 304 |
| Main part | SUS 304 |
| W.P. | 0.35-7 Kg/cm ² |
| W.T. | 100°C |

Dimensions

UNIT : M/M

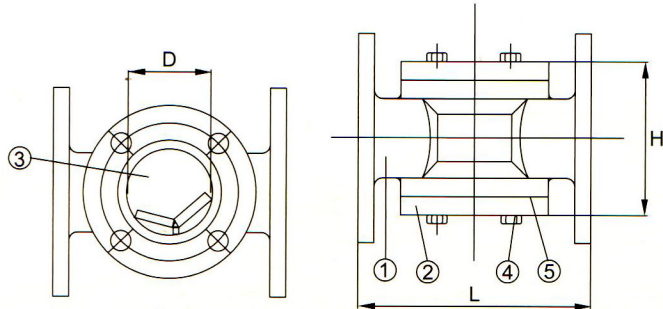
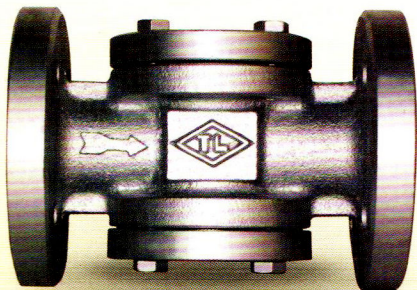
| INCH | L | E | H | KG |
|--------|-----|----|-----|-----|
| 1/2" | 75 | 22 | 62 | 0.6 |
| 3/4" | 90 | 30 | 70 | 0.8 |
| 1" | 90 | 30 | 80 | 1.1 |
| 1 1/4" | 120 | 42 | 108 | 2.2 |
| 1 1/2" | 120 | 42 | 108 | 2.2 |
| 2" | 140 | 53 | 118 | 2.9 |

** Usage scope: steam, general liquid

TL-41

Sight Glass Flanged Ends

- Material: Cast Iron / CF8 / CF8M
- Size: 1/2"~6"



Material list

| NO | Parts name | Material | | |
|------|------------|---------------------------|---------|---------|
| 1 | Body | Cast Iron | SUS 304 | SUS 316 |
| 2 | Cap | Cast Iron | SUS 304 | SUS 316 |
| 3 | Glass | Tempered glass | | |
| 4 | Bolt | SS 41 | SUS 304 | SUS 304 |
| 5 | Packing | TV 1500 | PTFE | PTFE |
| W.P. | | 0.35-8 Kg/cm ² | | |
| W.T. | | 100°C | | |

JIS-10K/ANSI-150LB Dimensions

| INCH | L | H | D | 10K / KG | | 150LB / KG | |
|--------|-----|-----|-----|----------|------|------------|------|
| | | | | 304 | C.I. | 304 | C.I. |
| 1/2" | 130 | 75 | 30 | 2.6 | 3 | 2.6 | 3 |
| 3/4" | 140 | 85 | 30 | 3 | 3.5 | 3 | 3.5 |
| 1" | 160 | 85 | 30 | 4 | 5 | 3.5 | 5 |
| 1 1/4" | 180 | 95 | 50 | 5 | 7.2 | 5.5 | 7.2 |
| 1 1/2" | 190 | 105 | 50 | 6.5 | 7.3 | 6.3 | 7.3 |
| 2" | 220 | 115 | 50 | 7.5 | 7.3 | 7.5 | 8.7 |
| 2 1/2" | 260 | 163 | 70 | 10 | 14 | 10.4 | 14 |
| 3" | 270 | 170 | 80 | 14 | 16 | 16 | 15.5 |
| 4" | 320 | 195 | 100 | 21.5 | 22 | 23 | 23 |
| 5" | 370 | 240 | 125 | 36.3 | 33 | 38 | 38 |
| 6" | 412 | 270 | 150 | 43 | 40.3 | 43 | 44 |

UNIT : M/M

DIN3202 PN16-F1 Dimensions

| INCH | L | H | D | KG | |
|--------|-----|-----|-----|-----|------|
| | | | | 304 | C.I. |
| 1/2" | 130 | 75 | 30 | 3 | 3.2 |
| 3/4" | 150 | 85 | 30 | 3.3 | 3.8 |
| 1" | 160 | 85 | 30 | 4 | 5 |
| 1 1/4" | 180 | 95 | 50 | 5.8 | 7.4 |
| 1 1/2" | 200 | 105 | 50 | 7 | 8 |
| 2" | 230 | 115 | 50 | 9 | 9 |
| 2 1/2" | 290 | 163 | 70 | 14 | 15 |
| 3" | 310 | 170 | 80 | 15 | 17 |
| 4" | 350 | 195 | 100 | 21 | 22 |
| 5" | 370 | 240 | 125 | 37 | 37 |
| 6" | 412 | 270 | 150 | 46 | 45 |

UNIT : M/M