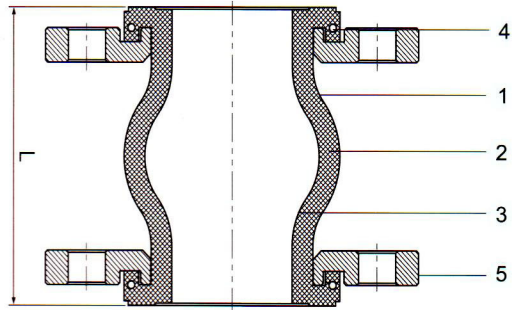
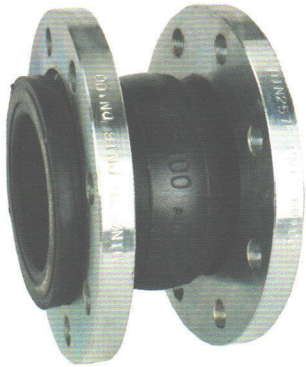


Single Sphere Rubber Expansion Joint

Fig.P101



Burst Pressure

- 55Bar for Size DN25-DN300
- 40Bar for Size DN350

Features

- Allow for 4 way movements.
- Precision molded of synthetic rubber & nylon.
- Excellent ability to absorb vibration and sound.
- Perfect corrosion resistant.
- Using floating flange, easy to install.

Dimensions(mm/in)

Nominal Diameter		Length (L)	Allowable Movement (mm)				Max. Pressure Bar	Vacuum mm Hg
mm	inch		Axial Comp.	Axial Ext.	Lateral.	Angular.(°)		
25	1	95	6	8	8	15°	16	660
32	1 1/4	95	8	4	8	15°	16	660
40	1 1/2	95	8	4	8	15°	16	660
50	2	105	8	5	8	15°	16	660
65	2 1/2	115	12	6	10	15°	16	660
80	3	130	12	6	10	15°	16	660
100	4	135	18	10	12	15°	16	660
125	5	170	18	10	12	15°	16	660
150	6	180	18	10	12	15°	16	660
200	8	205	25	14	22	15°	16	660
250	10	240	25	14	22	15°	10	660
300	12	260	25	14	22	15°	10	660
350	14	265	25	16	22	15°	10	660
400	16	265	25	16	22	15°	7	660
450	18	265	25	16	22	15°	7	660
500	20	265	25	16	22	15°	7	660
600	24	265	25	16	22	15°	7	660
700	28	265	25	16	22	15°	7	660
800	32	265	25	16	22	12°	7	660
900	36	265	25	16	22	10°	7	660
1000	40	265	25	16	22	10°	7	660
1200	48	265	25	16	22	8°	7	660

Material List

No.	Parts Name	Parts Material
1	Cover	EPDM
2	Reinforcing Fabric	Nylon
3	Tube	EPDM
4	Retain Ring	Steel
5	Flange	Carbon Steel

*Other rubber material such as Nitrile, Hypalon, CSM etc. also available on request.

*Available Flange Drilling: DIN PN10,PN16, others flange drilling as BS EN1092 PN10,PN16; AS2129Table D,E;ANSI150,JIS10K also available on request. see page 16.

Note:

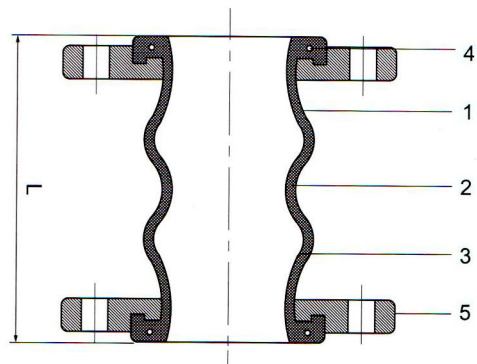
- Movements shown in above tables are non-concurrent.
- Control Rods must be installed when pressure exceeds the above rating pressure.
- Temperature change affect joint movement and pressure, the pressure rating is reduced along with the temperature rising.
- Pressures shows are recommended " operating" pressure, test pressure

is 1.5 times "operating".

- Vacuum rating is based on neutral installed length, without external load. Products should not be installed in extension for vacuum applications. Flattening of the arch in extended mode will cause the arch to collapse.
- For higher vacuum than indicated in the sheet above, a vacuum spiral or ring must be used.

Twin Sphere Rubber Expansion Joint

Fig.P200



Burst Pressure

- 55Bar for Size DN40-DN200
- 24Bar for Size DN250-DN300

Features

- Double Sphere allows more compression, elongation and deflection.
- Small force required to cause movement.
- Precision molded of synthetic rubber & nylon.
- Excellent ability to absorb vibration and sound.
- Perfect corrosion resistant.
- Using floating flange, easy to install.

Dimensions(mm/in)

Nominal Diameter		Length (L)	Allowable Movement (mm)				Max. Pressure	Vacuum
mm	inch		Axial Comp.	Axial Ext.	Lateral.	Angular.(°)	Bar	mm Hg
40	1 1/2	175	50	25	40	40°	16	660
50	2	175	50	25	40	40°	16	660
65	2 1/2	175	50	25	40	40°	16	660
80	3	175	50	25	40	40°	16	660
100	4	225	55	30	40	35°	16	660
125	5	225	55	30	40	35°	16	660
150	6	225	55	30	40	35°	16	660
200	8	325	65	30	35	30°	16	660
250	10	325	65	30	35	30°	16	660
300	12	325	65	30	35	30°	16	660
350	14	350	40	30	30	20°	10	660
400	16	350	40	30	30	20°	7	660
450	18	350	40	30	30	20°	7	400
500	20	350	40	30	30	20°	7	400
600	24	350	40	30	30	20°	7	400

*Available Flange Drilling: DIN PN10,PN16, others flange drilling as BS EN1092 PN10,PN16; AS2129Table D,E;ANSI150,JIS10K also available on request. see page 16.

Note:

- Movements shown in above tables are non-concurrent.
- Control Rods must be installed when pressure exceeds the above rating pressure.
- Temperature change affect joint movement and pressure, the pressure rating is reduced along with the temperature rising.
- Pressures shows are recommended "operating" pressure, test pressure

Material List

No.	Parts Name	Parts Material
1	Cover	EPDM
2	Reinforcing Fabric	Nylon
3	Tube	EPDM
4	Retain Ring	Steel
5	Flange	Carbon Steel

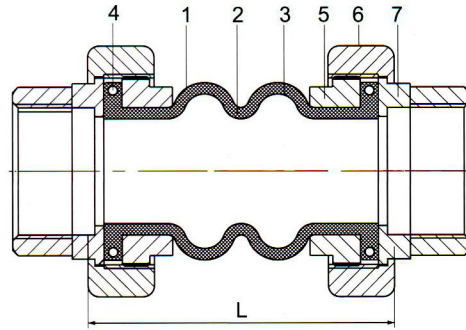
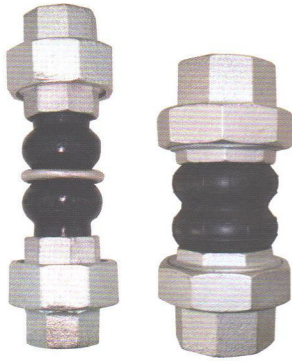
*Other rubber material such as Nitrile,Hypalon,CSM etc. also available on request.

is 1.5 times "operating".

- Vacuum rating is based on neutral installed length, without external load. Products should not be installed in extension for vacuum applications. Flattening of the arch in extended mode will cause the arch to collapse.
- For higher vacuum than indicated in the sheet above, a vacuum spiral or ring must be used.

Twin Sphere Union Rubber Expansion Joint

Fig.P500



Burst Pressure

- 55Bar for Size DN25-DN80

Features

- Perfect absorption vibration.
- Effective for large eccentricity thermal and bending angle.
- Low-cost installation and operation.
- BSPP, BSPT and NPT threaded unions available.

Dimensions(mm/in)

Nominal Diameter		Length (L)	Allowable Movement (mm)				Max. Pressure Bar	Vacuum mm Hg
mm	inch		Axial Comp.	Axial Ext.	Lateral.	Angular(°)		
20	3/4	200	6	22	22	45°	16	660
25	1	200	6	22	22	45°	16	660
32	1 1/4	200	6	22	22	45°	16	660
40	1 1/2	200	6	22	22	45°	16	660
50	2	200	6	22	22	45°	16	660
65	2 1/2	240	6	22	24	45°	16	660
80	3	240	6	22	24	45°	16	660

*BSPP,BSPTand NPTthreaded unions are all available on request.

Note:

- Movements shown in above tables are non-concurrent.
- Control Rods must be installed when pressure exceeds the above rating pressure.
- Temperature change affect joint movement and pressure, the pressure rating is reduced along with the temperature rising.
- Pressures shows are recommended " operating" pressure, test pressure

Material List

No.	Parts Name	Parts Material
1	Cover	EPDM
2	Reinforcing Fabric	Nylon
3	Tube	EPDM
4	Retain Ring	Steel
5	Union Flange	Steel
6	Union Nut	Carbon Steel
7	Union Screw	Carbon Steel

*Other rubber material such as Nitrile, Hypalon, CSM etc. also available on request.

is 1.5 times "operating".

- Vacuum rating is based on neutral installed length, without external load. Products Should not be installed in extension for vacuum applications. Flattening of the arch vin extended mode will cause the arch to collapse.
- For higher vacuum than indicated in the sheet above, a vacuum spiral or ring must be used.