

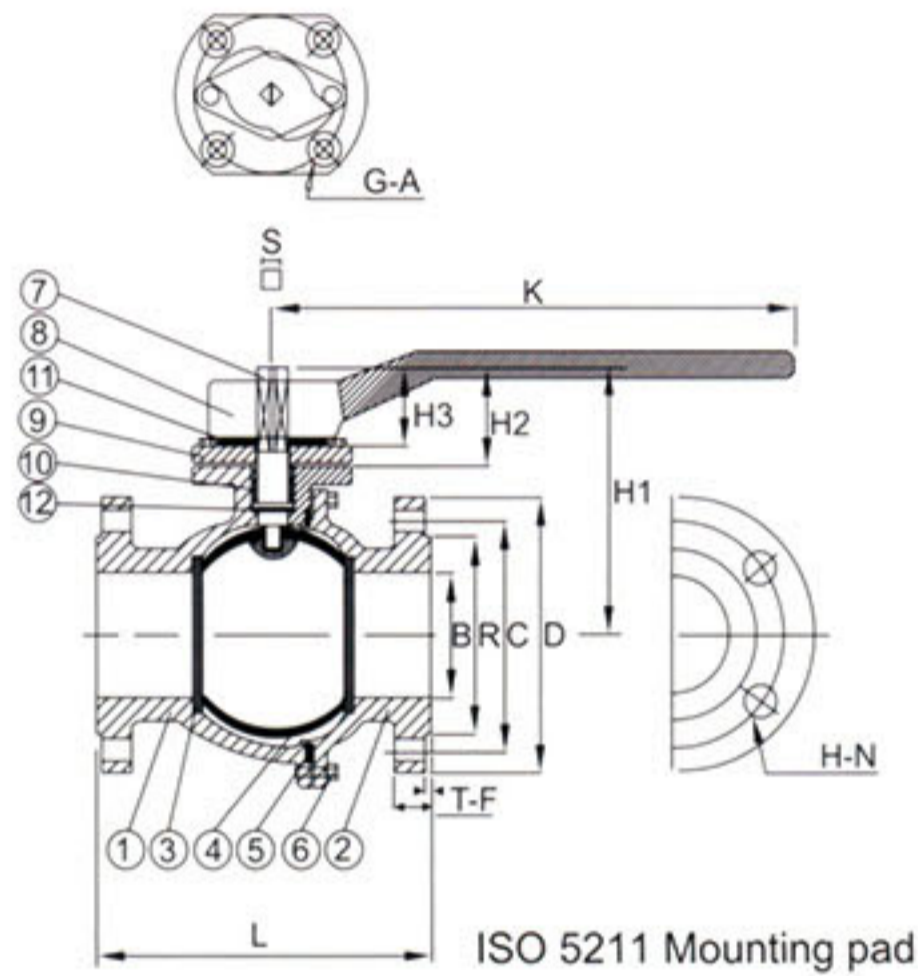
MODEL: SH-11 2-Type Ball Valve(Full Port)

2-PC Ball Valve Full Port Flanged Ends

- Material: Cast Iron/Carbon Steel/ Stainless Steel CF8/CF8M
- Size: 1 1/2"~12"

Working Condition

- Working pressure: 10 kg/cm²
- Working temperature: 100°C



NO	Description	Material			
		Cast Iron	WCB	CF8	CF8M
1	Body	Cast Iron	WCB	CF8	CF8M
2	Body cap	Cast Iron	WCB	CF8	CF8M
3	Seat	TEFLON	TEFLON	TEFLON	TEFLON
4	Ball	SUS 304	SUS 304	SUS 304	SUS 316
5	Joint gasket	TEFLON	TEFLON	TEFLON	TEFLON
6	Gland bolt	SS41	SS41	SUS 304	SUS 304
7	Stem	SUS 304	SUS 304	SUS 304	SUS 304
8	Handle	Cast Iron	Cast Iron	Cast Iron	Cast Iron
9	Gland flanged	Cast Iron	Cast Iron	Cast Iron	Cast Iron
10	Gland packing	TEFLON	TEFLON	TEFLON	TEFLON
11	Travel stopper	SS41	SS41	SUS 304	SUS 304
12	Gasket	TEFLON	TEFLON	TEFLON	TEFLON

SH-07 JIS-10K

INCH	1/2"	3/4"	1"	1 1/4"	1 1/2"	2"	2 1/2"	3"	4"	5"	6"	8"	10"	12"
MM	DN15	DN20	DN25	DN32	DN40	DN50	DN65	DN80	DN100	DN125	DN150	DN200	DN250	DN300
L	110	120	130	140	165	180	190	200	230	300	340	450	530	620
D	95	100	125	135	140	155	175	185	210	250	280	330	400	445
C	70	75	90	100	105	120	140	150	175	210	240	290	355	400
K	175	175	175	230	230	230	330	330	330	700	700	700	800	800

SH-07-1 ANSI - 150 LB

INCH	1/2"	3/4"	1"	1 1/4"	1 1/2"	2"	2 1/2"	3"	4"	5"	6"	8"	10"	12"
MM	DN15	DN20	DN25	DN32	DN40	DN50	DN65	DN80	DN100	DN125	DN150	DN200	DN250	DN300
L	108	117	127	140	165	178	190	203	229	356	394	457	533	620
D	89	98	108	117	127	152	178	190	229	254	279	343	406	483
C	60.5	70	79.5	89	98.5	120.5	139.5	152.5	190.5	216	241.5	298.5	362	432
K	175	175	175	230	230	230	330	330	330	700	700	700	800	800

SH-07-2 PN16 DIN3202 F4/F5

INCH	1/2"	3/4"	1"	1 1/4"	1 1/2"	2"	2 1/2"	3"	4"	5"	6"	8"	10"	12"
MM	DN15	DN20	DN25	DN32	DN40	DN50	DN65	DN80	DN100	DN125	DN150	DN200	DN250	DN300
L	115	120	125	130	140	150	170	180	190	325	350	400	450	500
D	95	105	115	140	150	165	185	200	220	250	285	340	405	460
C	65	75	85	100	110	125	145	160	180	210	240	295	355	410
K	175	175	175	230	230	230	330	330	330	700	700	700	800	800