

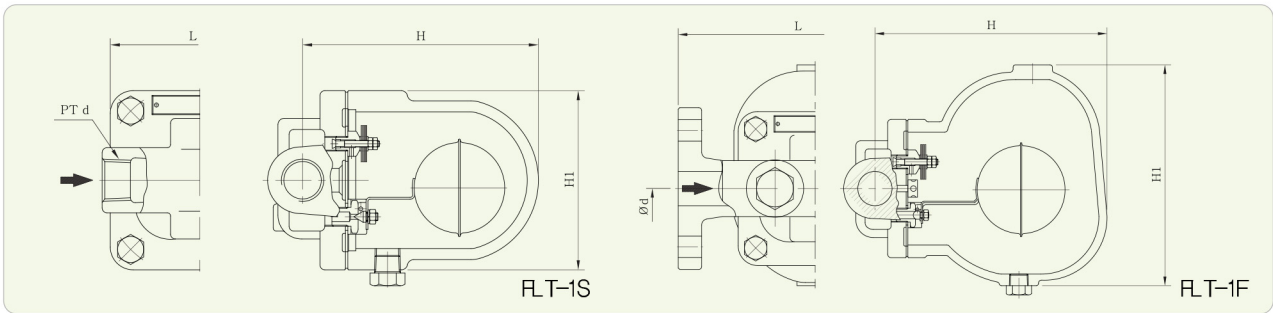
FLT-1S/1F | Ball Float Type Steam Trap

- For Application to larger capacity than thermodynamic trap such as heat exchanger, dryer, chemical plant, and various steam systems. Excellent durability of stainless steel disc, seat, and ball float. Inbuilt air vent assembly to eliminate air-binding.
- All parts are installed at the bonnet, and the integral bonnet would be helpful for easy maintenance.



FLT-1S

FLT-1F



► Specifications

| | |
|---------------------|--------------------------------------|
| Working Pressure | Max. 4.5, 10, 14 kgf/cm ² |
| | Min. 0.35 kgf/cm ² |
| Working Temperature | Max. 220°C |
| Connection | FLT-1S : PT Screwed |
| | FLT-1F : JIS Flanged |
| Materials | Body : Ductile Iron |
| | Trim : Stainless Steel |

► Dimensions

| Model | Size | d | L | H1 | H | Connection |
|--------|------|-----------|-----|-----|-----|-----------------|
| FLT-1S | 15A | PT 1/2" | 120 | 110 | 155 | PT Screwed |
| | 20A | PT 3/4" | 120 | 110 | 155 | |
| | 25A | PT 1" | 120 | 185 | 190 | |
| | 32A | PT 1 1/4" | 270 | 240 | 295 | |
| | 40A | PT 1 1/2" | 270 | 240 | 295 | |
| | 50A | PT 2" | 300 | 260 | 310 | |
| FLT-1F | 15A | 15 | 200 | 110 | 170 | JIS 10K Flanged |
| | 20A | 20 | 200 | 110 | 170 | |
| | 25A | 25 | 215 | 185 | 190 | |
| | 32A | 32 | 320 | 240 | 295 | |
| | 40A | 40 | 320 | 240 | 295 | |
| | 50A | 50 | 360 | 260 | 310 | |

