

주철 10K 가스식 수격방지기

CAST IRON 10K WATER HAMMER CUSHION

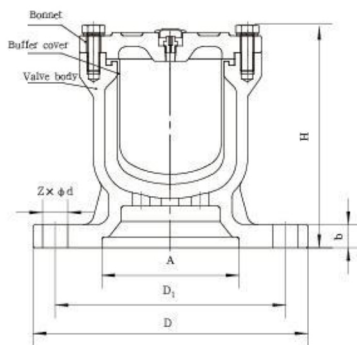


Main parts and materials

Parts name	Material
Body, Bonnet	Grey iron
Buffer	NBR

Specification

Applicable Fluid	Water
Working Pressure	Less than 10kgf/cm ² (Max. 1.0MPa)
Applicable Temperature	Less than 60°C
Connection Method	10K FF Flange
Hydraulic Test	15kgf/cm ² (1.5MPa)



Outline and connecting measurement

Size	D	b	$Z \times \phi d$	H
40	140	20	$4 \times \phi 19$	180
50	155	20	$4 \times \phi 19$	185
65	175	21	$4 \times \phi 19$	199
80	185	21	$8 \times \phi 19$	211
100	210	22	$8 \times \phi 19$	230
125	250	22	$8 \times \phi 23$	246
150	280	23	$8 \times \phi 23$	255

*The above specifications to be varied to suit your specific requirements.