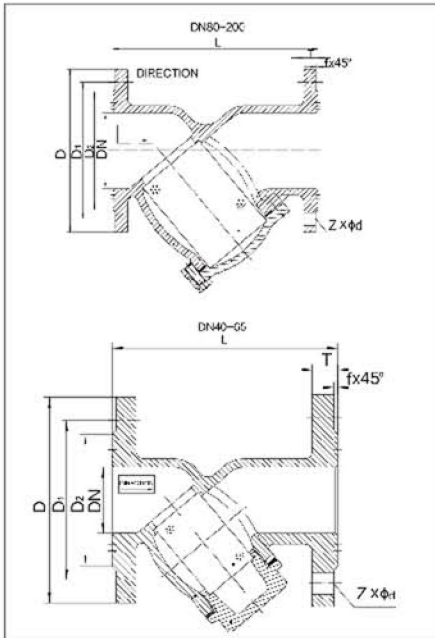




# PN10/16 Y Strainer



## Main parts and materials

Part Name	Material
Body	Ductile iron
Bonnet	Ductile iron
Screen	Stainless steel
Gasket	NBR/EPDM

## Specification

Feature	Specification
	• Nominal Pressure (mpa): 1.6
	• Seal test(water): 2.4mpa
	• Shell test(water): 2.4 mpa
	• Suitable temperature: ≤ 80℃
	• Suitable medium: water

## Dimensions

DN	L	D	D1	D2	Z-φd	T	f
40	170±2	Φ145	Φ110	Φ85	4x-Φ18	19	3
50	170±2	Φ160	Φ125	Φ100	4x-Φ18	19	3
65	195±2	Φ180	Φ145	Φ120	4x-Φ18	19	3
80	240±2	Φ195	Φ160	Φ135	8x-Φ18	19	3
100	270±3	Φ215	Φ180	Φ155	8x-Φ18	19	3
125	290±3	Φ245	Φ210	Φ185	8x-Φ18	21	3
150	345±3	Φ280	Φ240	Φ210	8x-Φ18	21	3
200	460±3	Φ335	Φ295	Φ265	12x-Φ23	22	3