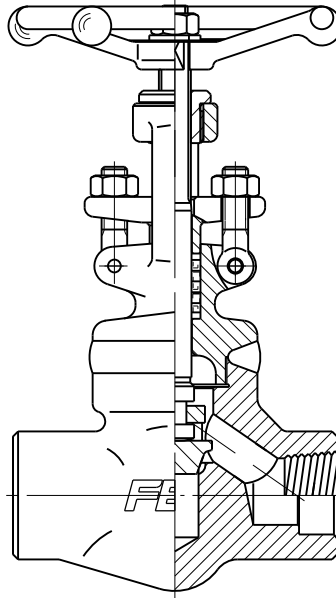
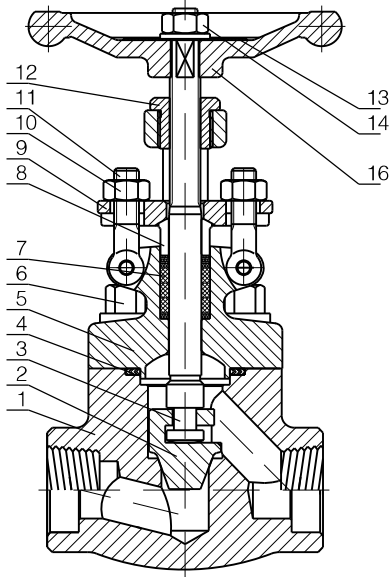


Forged Steel Globe Valve

Forged Steel Globe Valve

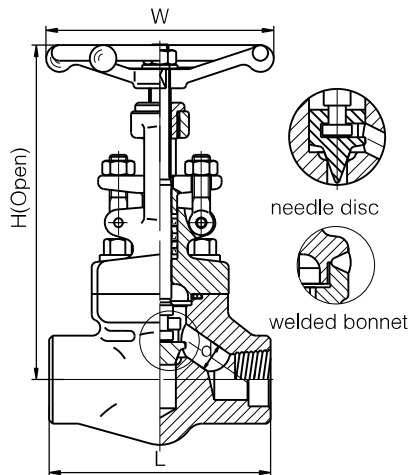


Applicable Standards

1. Design and manufacture
API 602, BS5352, ASME B16.34
2. Connection end
Socket Weld End(SW):ASME B16.11
Threaded End(NPT):ASME B1.20.1
Butt-Weld End(BW):ASME B16.25
Flange End(RF/RTJ):ASME B16.5
3. Test & Inspection
API 602, API 598
4. Design Description
Bolted Bonnet(BB),
Welded Bonnet(WB),
Outside Screw and Yoke(OS&Y)
5. Main Materials:
A105, LF2, F5, F11, F22,
304(L), 316(L), F347, F321,
F51, Alloy 20, Monel

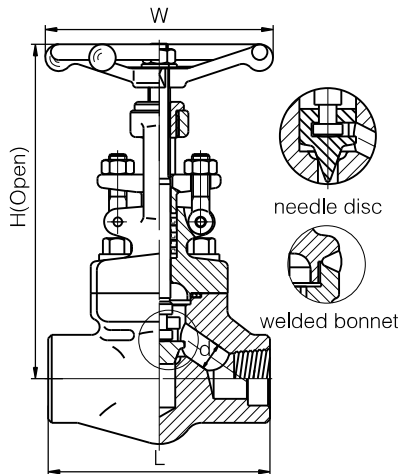
No.	PART	ASTM Material					
		A105	LF2	F11	F304(L)	F316(L)	F51
1	BODY	A105+SS304	LF2	F11	F304(L)	F316(L)	F51
2	DISC	F6a	F6a	F6a+STL	F304(L)	F316(L)	F51
3	STEM	410	410	410	304(L)	316(L)	F51
4	GASKET	A105	LF2	F11	304+Graphite	316(L)+Graphite	316(L)+Graphite
5	BONNET	304 + Graphite		B16	F304(L)	F316(L)	F51
6	BOLT	B7	L7	F11	B8(M)	B8(M)	B8M
7	PACKING	Flexible Graphite					
8	GLAND	A182 F6	LF2	F11	F304	F304	F304
9	GLAND FLANGE	A105	LF2		F304	F304	F304
10	NUT	A194 2H			8		
11	EYEBOLT	A193 B7			B8		
12	STEM NUT	A276 410					
13	LOCK NUT	AISI 1035					
14	NAMEPLATE	AL					
15	HANDWHEEL	ASTM A197					

Forged Steel Globe Valve



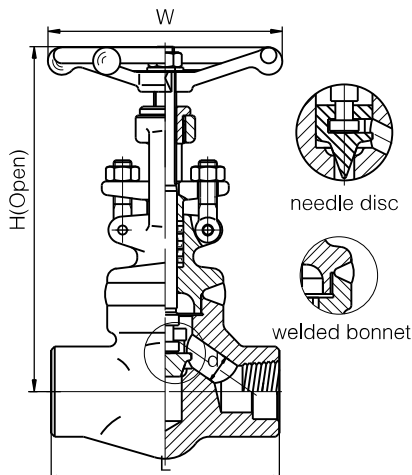
CL800 Bolted Bonnet/Welded Bonnet, Full Port/Reduced Port, Outside Screw and Yoke (OS&Y), Threaded, Butt Weld, Socket Weld. Design: API 602

Size (NPS)	R.P	1/2	3/4	1	1.1/4	1.1/2	2	2.1/2
	F,P	3/8	1/2	3/4	1	1.1/4	1.1/2	2
Face To Face	L	79	92	111	120	152	172	220
Handwheel Diameter	W	100	100	125	160	160	180	200
Height	H	164	164	203	224	260	300	355
Flow Port Diameter	d	10.5	13.5	17	22	28	34	43
Weight	B.B	2.28	2.37	4.3	5.75	7.8	12.5	17.5
	W.B	1.7	1.9	3.3	5.2	6.8	10.6	13.8



CL900~1500 Bolted Bonnet/Welded Bonnet, Full Port/Reduced Port, Outside Screw and Yoke (OS&Y), Threaded, Butt Weld, Socket Weld. Design: API 602

Size (NPS)	R.P	1/2	3/4	1	1.1/4	1.1/2	2	2.1/2
	F,P	3/8	1/2	3/4	1	1.1/4	1.1/2	2
Face To Face	L	92	111	120	152	172	220	-
Handwheel Diameter	W	100	125	160	160	180	240	-
Height	H	171	207	240	258	330	370	-
Flow Port Diameter	d	7	10,5	13.5	22	28	34	-
Weight	B.B	2.3	3.7	6.8	7.6	11.6	21.9	-
	W.B	2.0	3.4	6.0	5.6	10.3	18.0	-

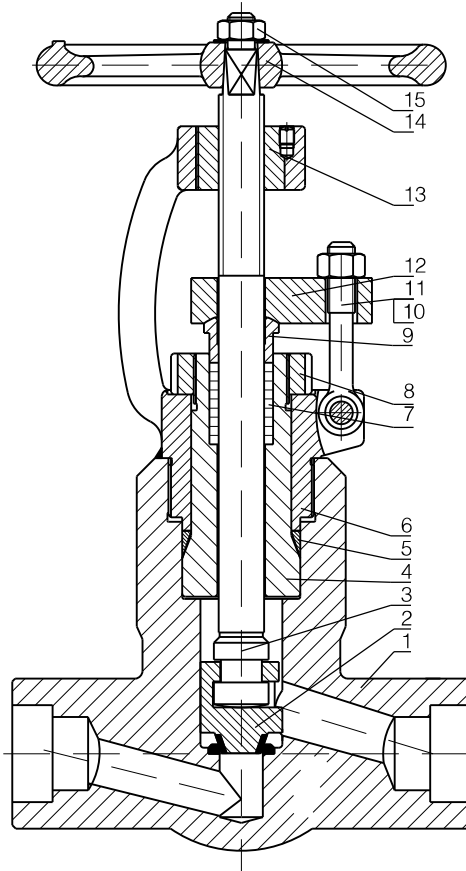


CL2500 Welded Bonnet, Full Port/Reduced Port, Outside Screw and Yoke (OS&Y), Threaded, Butt Weld, Socket Weld. Design: ASME B16.34

Size (NPS)	R.P	3/8	1/2	3/4	1	1.1/4	1.1/2	2
Face To Face	L	111	120	152	172	220	-	-
Handwheel Diameter	W	125	160	160	180	240	-	-
Height	H	207	240	258	330	370	-	-
Flow Port Diameter	d	8	10.5	13.5	22	28	-	-
Weight	W.B	3.4	6.0	5.6	10.3	18.0	-	-

Forged Steel Globe Valve

Forged Steel Pressure Seal Globe Valve

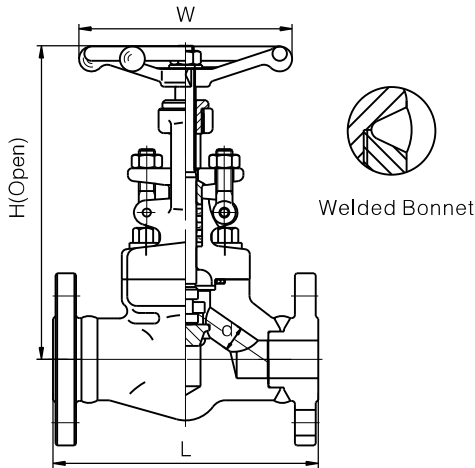


Applicable Standards

1. Design and Manufacture
API 602, BS5352, ASME B16.34
2. Connection end
Socket Weld End(SW):ASME B16.11
Threaded End(NPT):ASME B1.20.1
Butt-Weld End(BW):ASME B16.25
Flange End(RF/RTJ):ASME B16.5
3. Test & Inspection
API 602, API 598
4. Design Description
Bolted Bonnet(BB),
Welded Bonnet(WB),
Outside Screw and Yoke(OS&Y)
5. Main Materials:
A105, LF2, F5, F11, F22,
304(L), 316(L), F347, F321,
F51, Alloy 20, Monel

No.	PART	ASTM Material					
		A105	LF2	F11	F304(L)	F316(L)	F51
1	BODY	A105/STL	LF2/STL	F11+STL	F304(L)	F316(L)	F51
2	DISC	F6a	F6a	F6a+STL	F304(L)+STL	F316(L)+STL	F51
3	STEM	410	410	410	304(L)	316(L)	F51
4	BONNET	A105	LF2	F11	F304(L)	F316(L)	F51
5	PRESSURE SEAL RING	304 + Graphite			304+Graphite	316(L)+Graphite	316(L)+Graphite
6	YOKE	A105	L7	F11	F304(L)	F316(L)	F51
7	PACKING	Graphite/SS304+Graphite			Graphite		
8	NUT	CARBON STEEL			F304		
9	GLAND	A182 F6	LF2	F11	F304		
10	NUT	A194 2H		4	A194 8		
11	EYEBOLT	A193 B7		B16	A193 B8		
12	GLAND FLANGE	A105		F11	F304		
13	STEM NUT	A276 410					
14	LOCK NUT	AISI 1035					
15	HANDWHEEL	ASTM A197					

Forged Steel Globe Valve

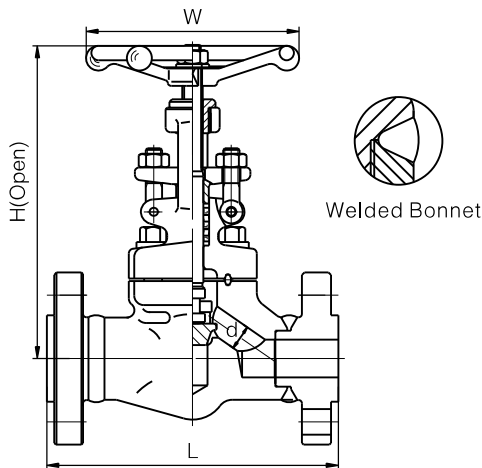


CL150-300-600

Bolted Bonnet/Welded Bonnet, Reduced Port, Outside Screw and Yoke (OS&Y), RF/RTJ Flange End, Design: API 602

Size (NPS)	R.P	3/8	1/2	3/4	1	1.1/4	1.1/2	2	
Face to Face (mm)	CL150	L (RF)	-	108	117	127	140	165	203
	CL300		-	152	178	203	216	229	267
	CL600		-	165	190	216	229	241	292
Handwheel Diameter	W	-	100	100	125	160	160	180	
Height	CL150	H	-	180	184	217	224	260	300
	CL300/600		-	164	164	203	224	260	300
Flow Port Diameter	d	-	9	13	17.5	23	30	35	
Weight	CL150	RF	-	3.45	4.00	6.19	9.6	10.5	17
		BW	-	2.3	3.6	7.8	8.2	12.0	15.0
	CL300	RF	-	3.8	5.1	7.2	12	13.5	19.7
		BW	-	2.8	4.0	8.5	9.2	12.6	16.8
	CL600	RF	-	5.6	7.8	12.5	17	23.5	38.8
		BW	-	3.4	4.7	9.2	10.5	13.3	18.9

If you want to order the integral flange, please contact sale department



CL900~1500

Bolted Bonnet/Welded Bonnet, Reduced Port, Outside Screw and Yoke (OS&Y), RF/RTF Flange End, Design: API 602

Size (NPS)	R.P	3/8	1/2	3/4	1	1.1/4	1.1/2	2
Face to Face	L (RF)	-	216	229	254	279	305	368
Handwheel Diameter	W	-	125	125	160	160	180	200
Height	H	-	207	207	230	160	300	355
Flow Port Diameter	d	-	12	15	20	28	32	40
Weight		-	11	13.2	17.4	19	24.5	31

If you want to order the integral flange, please contact sale department