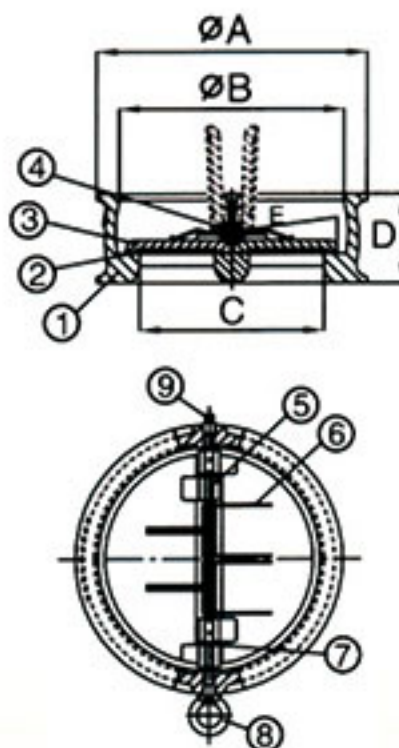


MODEL: SH-06

Wafer Type dual Plate Check Valves



PART	MATERIAL	ORDER MATERIAL
BODY	DUCTILE IRON (FCD45)	
BODY	STAINLESS STEEL (Cf8)	CF8M/WCB
SEAT	NBR (80°C)/EPDM(120°C)	VITON
DISC	STAINLESS STEEL (Cf8)	CF8M/BRONZE
SPRING	STAINLESS STEEL (SUS316)	
HINGE PIN	STAINLESS STEEL (SUS304)	SUS316
STOP PIN	STAINLESS STEEL (SUS304)	SUS316
WASHER	PTFE	

WORKING PRESSURE		TEST PRESSURE(Water)			
NON-SHCOCK WATER UNDER 80°C		BODY		SEAT	
17kg f/cm ²	11kg f/cm ²	32kg f/cm ²	22kg f/cm ²	24kg f/cm ²	16kg f/cm ²

INCH	1 1/2"	2"	2 1/2"	3"	4"	5"	6"	8"	10"	12"	14"	16"	18"	20"	24"
MM	DN40	DN50	DN65	DN80	DN100	DN125	DN150	DN200	DN250	DN300	DN350	DN400	DN450	DN500	DN600
JIS-10K	86	101	121	131	156	187	217	267	330	375	420	483	538	592	695
150LB	86	105	124	137	175	197	220	279	340	410	451	514	549	606	718
PN16	86	105	124	137	156	187	213	267	328	375	448	498	562	619	727
B	60	60	73	89	114	141	168	219	274	324	356	406	457	508	610
C	47	47	58	70	89	116	136	184	230	276	300	325	395	435	530