

# Cast Carbon Steel Globe Valve

Bolted bonnet, Outside screw-and-yoke, Rising stem handwheel, Swivel disc.

Class 150

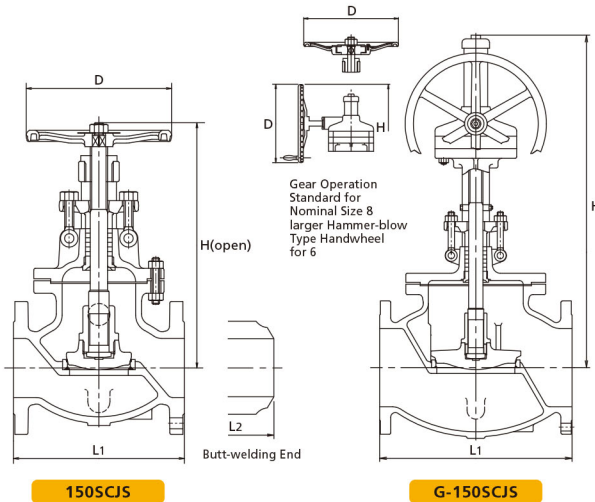


Fig	End Connections
150SCJS	RF-flanged ends.
W150SCJS	Butt-welding ends.

## Standard materials of parts

Parts	Materials
Body	ASTM A216 Gr.WCB
Bonnet	ASTM A216 Gr.WCB
Stem	ASTM A276 Tp.403
Disc	13Cr/Carbon Steel+13Cr
Lock nut	ASTM A182 Gr.F6a
Body seat ring	Carbon Steel+HF*
Gland	ASTM A182 Gr.F6a
Gland packing	Flexible Graphite
Gland flange	ASTM A105/A216 Gr. WCB
Handwheel	Ductile iron
Gasket	See Page 6
Bonnet bolt/nut	ASTM A193 Gr.B7/A194 Gr.2H
Gland bolt/nut	ASTM A576 Gr.1045/A194 Gr.2H
Bonnet bushing	ASTM A182 Gr.F6a
Yoke sleeve	ASTM A439 Tp.D2

\*Hard facing with Co-Cr-W Alloy.  
Note: Refer to Page 5&6 for standard seat material and construction.

## Dimensions

Nominal Size		1½	2	2½	3	4	5	6	8	10	12	14	16	18
		40	50	65	80	100	125	150	200	250	300	350	400	450
L1	in	6.50	8.00	8.50	9.50	11.50	14.00	16.00	19.50	24.50	27.50	31.00	36.00	38.50
	mm	165	203	216	241	292	356	406	495	622	698	787	914	978
L2	in	—	8.00	8.50	9.50	11.50	14.00	16.00	19.50	24.50	37.50	31.00	36.00	38.50
	mm	—	203	216	241	292	356	406	495	622	698	787	914	978
H	in	13.0	13.0	14.9	15.3	18.0	19.1	20.2	24.8	38.4	41.3	43.5	48.2	49.8
	mm	331	331	379	389	458	484	513	929	975	1049	1106	1224	1275
D	in	7.9	7.9	9.8	9.8	9.8	11.8	13.8	15.7	19.7	19.7	19.7	23.6	23.6
	mm	200	200	250	250	250	300	350	500	500	500	500	600	600

Class 300

Bolted bonnet, Outside screw-and-yoke, Rising stem handwheel, Swivel disc.

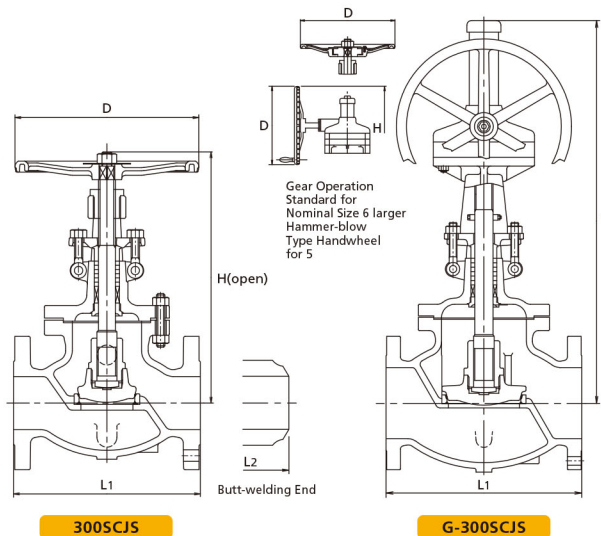


Fig	End Connections
300SCJS	RF-flanged ends.
W300SCJS	Butt-welding ends.

## Standard materials of parts

Parts	Materials
Body	ASTM A216 Gr.WCB
Bonnet	ASTM A216 Gr.WCB
Stem	ASTM A276 Tp.403
Disc	13Cr/Carbon Steel+13Cr
Lock nut	ASTM A182 Gr.F6a
Body seat ring	Carbon Steel+HF*
Gland	ASTM A182 Gr.F6a
Gland packing	Flexible Graphite
Gland flange	ASTM A105/A216 Gr. WCB
Handwheel	Ductile iron
Gasket	See Page 6
Bonnet bolt/nut	ASTM A193 Gr.B7/A194 Gr.2H
Gland bolt/nut	ASTM A576 Gr.1045/A194 Gr.2H
Bonnet bushing	ASTM A182 Gr.F6a
Yoke sleeve	ASTM A439 Tp.D2

\*Hard facing with Co-Cr-W Alloy.  
Note: Refer to Page 5&6 for standard seat material and construction.

## Dimensions

Nominal Size		1½	2	2½	3	4	5	6	8	10	12	14	16
		40	50	65	80	100	125	150	200	250	300	350	400
L1	in	9.00	10.50	11.50	12.50	14.00	15.75	17.50	22.00	24.50	28.00	33.00	34.00
	mm	229	267	292	318	356	400	444	559	622	711	838	864
L2	in	—	10.50	11.50	12.50	14.00	15.75	17.50	22.00	24.50	28.00	33.00	34.00
	mm	—	267	292	318	356	400	444	559	622	711	838	864
H	in	14.2	14.2	16.9	17.2	20.0	24.0	38.9	41.9	45.0	46.7	57.1	55.5
	mm	361	361	428	436	509	610	989	1064	1142	1187	1450	1410
D	in	7.9	7.9	9.8	9.8	13.8	15.7	17.7	19.7	23.6	23.6	23.6	23.6
	mm	200	200	250	250	350	400	500	500	600	600	600	600