

## PN10/16 Silence Check Valve

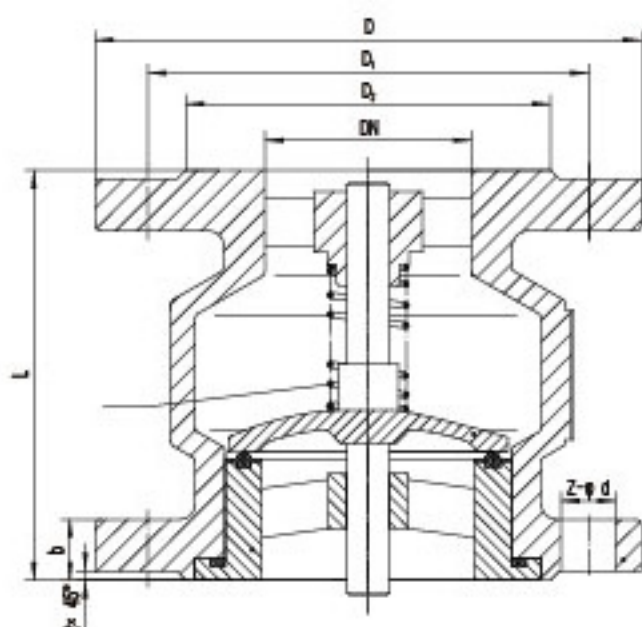


### Specifications

Basic standard
● Flange end: BS4504
Feature
● Nominal Pressure (mpa): 1.6
● Shell test: 2.4mpa
● Seal test: 1.8mpa
● Suitable temperature: -10-85℃
● Suitable medium: water

### Main parts and materials

Part Name	Material
Body	Cast Iron
Disc	Cast Iron
Seat	Cast Iron+NBR
O-ring	NBR
Spring	SS304



### Dimensions

DN	L	D	D1	D2	B	Z-φd
40	125	145	110	85	17	4-Φ18
50	125	160	125	100	19	4-Φ18
65	135	180	145	120	19	4-Φ18
80	155	195	160	135	21	8-Φ18
100	165	215	180	155	23	8-Φ18
125	190	245	210	185	25	8-Φ18
150	220	280	240	210	27	8-Φ23
200	255	335	295	265	29	12-Φ23
250	270	405	355	320	31	12-Φ25

## PN10/16 Foot Valve with Screen

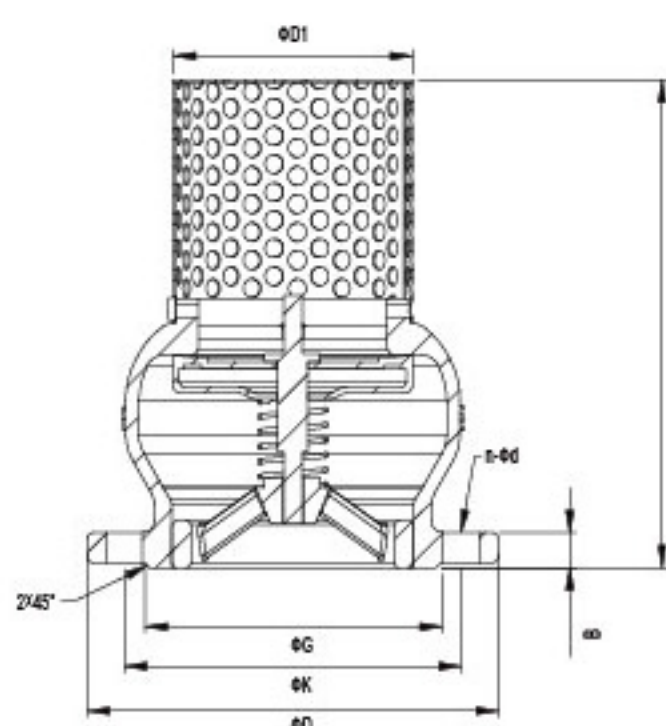


### Specifications

Basic standard
● Flange end: EN1092-2/ BS4504
Feature
● Nominal Pressure (mpa): 1.6
● Suitable temperature: 0~80℃
● Shell test(water): 2.4 mpa

### Main parts and materials

Part Name	Material
Body	GGG50
Base	GGG50
Spring	SS304
Stem	2Cr13
Disc	GGG50+EPDM
Sreen	SS 304



### Dimensions

DN	ΦD	ΦD1	ΦK	ΦG	H	B	n-φd
50	165	75	125	102	190	19	4-Φ19
65	185	90	145	122	210	19	4-Φ19
80	200	105	160	138	240	19	8-Φ19
100	220	125	180	158	250	19	8-Φ19
125	250	153	210	188	310	19	8-Φ19
150	285	177	240	212	370	19	8-Φ23
200	340	226	295	268	450	20	12-Φ23
250	405	277	355	320	470	22	12-Φ23
300	460	329	410	378	500	25	12-Φ28