

# 10K CAST STAINLESS STEEL, WAFER TYPE CHECK VALVES

KITZ Fig: 10UW

Sizes: 2 1/2-inch(65-mm)

WITH BY-PASS, RUBBER SEAT

Standards

- End to End: API 594 CLASS 150
- End Connection: WAFER TYPE (JIS 10K)
- Wall Thickness: KITZ STANDARD

Test Standard

- KITZ STANDARD

Conform to

(一社) 日本バルブ工業会規格相当品 65-300 mm (2 1/2-12 inch)  
approved

Dimensions

SIZE (inch/mm)	L	L1	H	D1	Kg
2 1/2 65	67.0		155.0	60.0	
3 80	73.0		163.0	60.0	
4 100	73.0		175.0	60.0	
5 125	89.0		189.0	70.0	
6 150	98.0		202.0	70.0	
8 200	127.0		229.0	70.0	
10 250	146.0		280.0	90.0	
12 300	181.0		307.0	90.0	

Material List

NAME OF PART	MATERIAL	SPECIFICATION
BODY	STAINLESS STEEL+NBR	A351 Gr. CF8/SCS13A+NBR
STEM	STAINLESS STEEL	304SS(3)

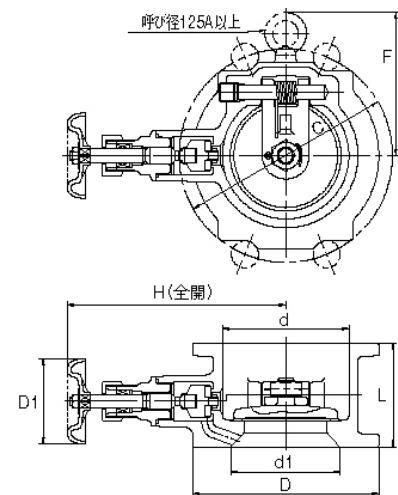
Specifications

10K CAST STAINLESS STEEL, WAFER TYPE CHECK VALVES, WITH BY-PASS, RUBBER SEAT

End to End : API 594 CLASS 150, End Connection : WAFER TYPE (JIS 10K), Wall Thickness : KITZ STANDARD, Test Standard : KITZ STANDARD, Sizes : 2 1/2-inch(65-mm), Conform to : (一社) 日本バルブ工業会規格相当品 65-300 mm (2 1/2-12 inch), BODY MATERIAL : STAINLESS STEEL+NBR, STEM MATERIAL : STAINLESS STEEL, KITZ Fig : 10UW



JV



For more details, please refer to the drawing.

Pressure-temperature ratings and other performance data published in this catalog have been developed from our design calculation, in-house testing, field reports provided by our customers and/or published official standards or specifications. They are good only to cover typical applications as a general guideline to users of KITZ products introduced in this catalog. For any specific application, users are kindly requested to contact KITZ Corporation for technical advice, or to carry out their own study and evaluation for proving suitability of these products to such an application. Failure to follow this request could result in property damage and/or personal injury, for which we shall not be liable. Read instruction manual carefully before use.

**KITZ**

KITZ CORPORATION 1-10-1 Nakase, Mihama-ku, Chiba 261-8577, Japan  
© KITZ Corporation. All Right Reserved.

ISO 9001  
CERTIFIED  
Since 1989