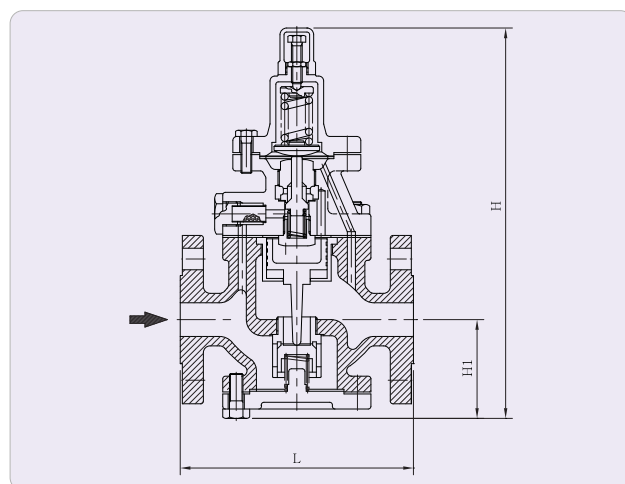


## PIR-1F/2F | Pressure Reducing Valve For Steam

- The mechanism that automatically adjusts the pressure in pressure reducing valves uses the balance between the steam pressure and the adjustment spring.
- The steam flowing through the pilot valve is controlled by the balance between the adjustment spring and the secondary pressure.
- This steam causes the piston to fall and rise, which controls the amount of opening of the main valve.



### ► Specifications

Model	PIR-1F	PIR-2F
Inlet Pressure (kgf/cm <sup>2</sup> g)	10	20
Outlet Pressure (kgf/cm <sup>2</sup> g)	0.5~7	0.5~15
Max Reducing Ratio	10 : 1	10 : 1
Working Temperature (°C)	220	250
Working Fluid	Steam	Steam
Connection	JIS 10K Flanged	JIS 20K Flanged
Materials	Body : Ductile Iron	Body : Cast Steel
	Trim : Stainless Steel	Trim : Stainless Steel

### ► Dimensions

Part	Size	Size													
		15A	20A	25A	32A	40A	50A	65A	80A	100A	125A	150A	200A	250A	
L		165	165	170	200	200	220	250	290	320	350	395	560	650	
H1		75	75	75	85	85	95	105	125	130	148	466	620	267	
H		357	357	357	375	375	395	415	440	465	459	181	250	685	